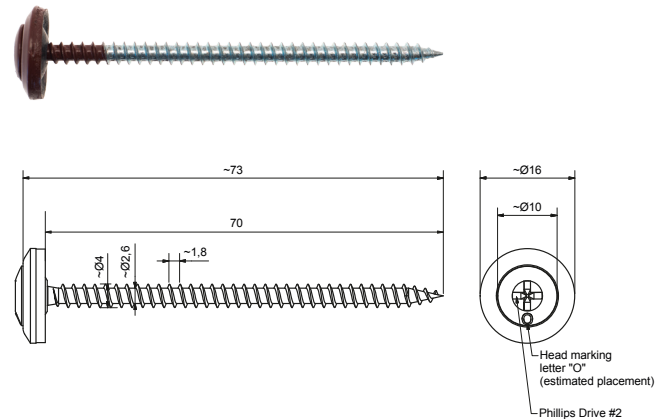


Self drilling screw for fastening of roofing sheet to wood

Nominal diameter	Ø4.0 mm
Length	L 70 (+3) mm
Head	LP™ (low profile) head with Phillips drive
Material	Carbon steel (C1016 - C1022)
Washer	Ø16mm M-washer in aluminium vulcanized EPDM rubber
Surface treatment	Electroplated, 7 µm zink with blue chrome passivation
Service class	2 (acc. EN 1995-1-1)
Corrosion category	C2 (acc. EN ISO 12944-6)



Technical characteristics

CARRYING CAPACITY

The carrying capacity is calculated in accordance to the current standards. The tensile capacity for the connection are the minimum values of the pullout values and the tensile resistance of the screw. The head pull-through resistances is not taken into account.

These theoretical values must be considered indicative since the conditions of the construction site may vary. Practical tests of the specific application are recommended for verification of the listed values.

ASSUMPTIONS

Supporting object: Structural timber, C24 ($\rho_k=350\text{kg/m}^3$)

Fixed object: Roofing sheet

L_g = Setting depth of in the supporting object [mm]

F_{Rd} = Design resistance [kN]

The values are in kN (1kN \approx 100kg)

Safety factor: $\gamma_M = 1.35$, $k_{mod}=0.90$

TENSILE CAPACITY IN WOOD

L_g	30,0	35,0	40,0	45,0
F_{Rd}	1,54	1,77	2,00	2,22