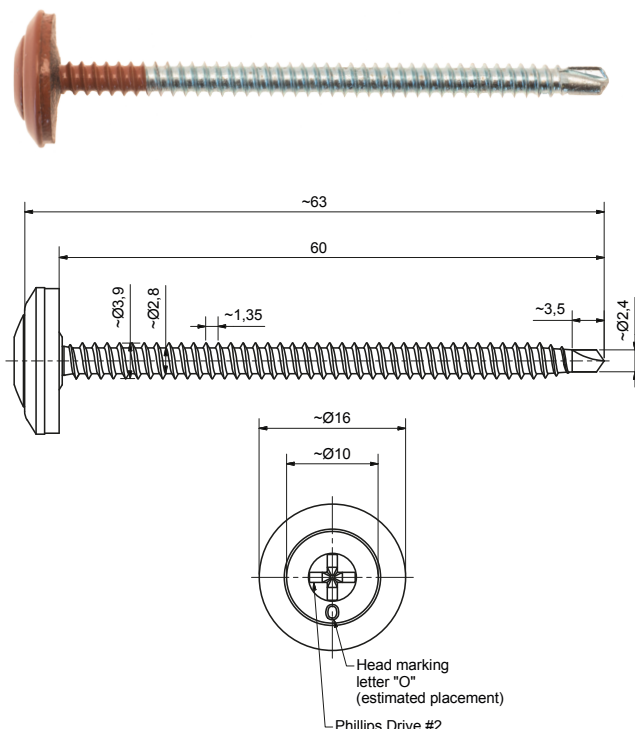


SCREW FOR ROOFING - 60 (+3) mm

TECHNICAL DATA SHEET

SELF DRILLING SCREW FOR FASTENING OF ROOFING SHEET TO WOOD/STEEL

Nominal diameter:	Ø3.9 mm
Length(L):	60 (+3) mm
Head:	LP™ (low profile) head with Phillips drive
Material:	Carbon steel (C1016 - C1022)
Drill point:	#1S
Drill capacity:	Max. 2.0 mm (steel 280GD)
Washer:	Ø16mm M-washer in aluminium vulcanized EPDM rubber
Surface treatment:	Electroplated, 7 µm zink with blue chrome passivation
Service class:	2 (acc. EN 1995-1-1)
Corrosion category:	C2 (acc. EN ISO 12944-6)



TECHNICAL DATA

CARRYING CAPACITY

The carrying capacity is calculated in accordance to the current standards. The tensile capacity for the connection are the minimum values of the pullout values and the tensile resistance of the screw. The head pull-through resistances is not taken into account.

These theoretical values must be considered indicative since the conditions of the construction site may vary. Practical tests of the specific application are recommended for verification of the listed values.

ASSUMPTIONS

Supporting object: Steel S280GD - EN 10346
 Supporting object: Structural timber, C24 ($\rho_k = 350 \text{ kg/m}^3$)
 Fixed object: Roofing sheet
 L_B = Setting depth of in the supporting object [mm]
 F_{Rd} = Design resistance [kN]
 The values are in kN (1kN \approx 100kg)
 Safety factor: $\gamma_M = 1.35$, $k_{mod} = 0.90$

TENSILE CAPACITY IN STEEL

L_B	1,0	1,25	1,50	1,75	2,0
F_{Rd}	0,47	0,59	1,01	1,18	1,35

TENSILE CAPACITY IN WOOD

L_B	20,0	25,0	30,0	35,0
F_{Rd}	1,06	1,29	1,52	1,75

www.onduline.com

Onduline
 35, rue Baudin
 92300 Levallois-Perret, FRANCE

06/2017

Onduline®